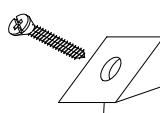
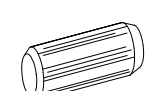
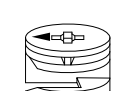
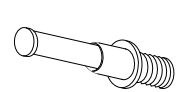
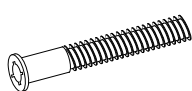


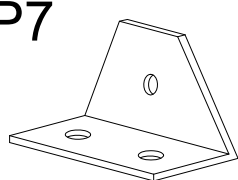
F  **x24**

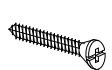
B  **x34**
8x30 mm.

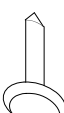
C  **x18**
ø15 x 12 mm


D  **x18**


E  **x16**
7x60 mm.

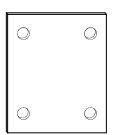
P7  **x9**
209030-05CF

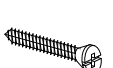
L418  **x31**
4x18 mm.

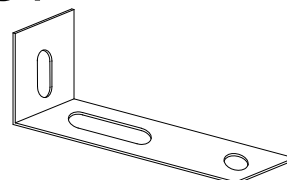
CH  **x7**

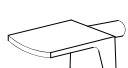
P  **x6**

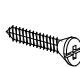
P20  **x4**
ø20 mm.

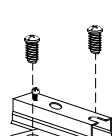
PST  **x2**

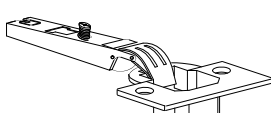
L416  **x8**
4x16 mm.

PST  **x2**

R  **x8**

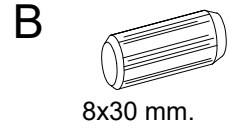
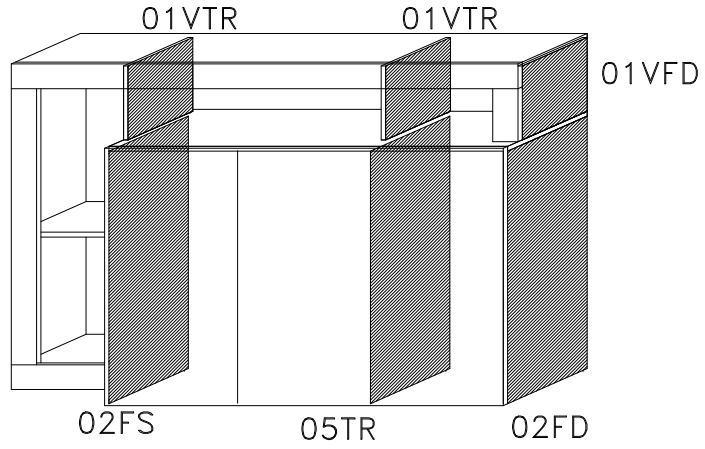
L15  **x12**
4x15 mm.

H2E  **x6**

C0  **x6**

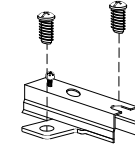
209030-05CC

1

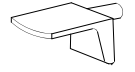


x24

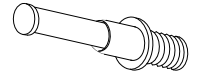
H2E



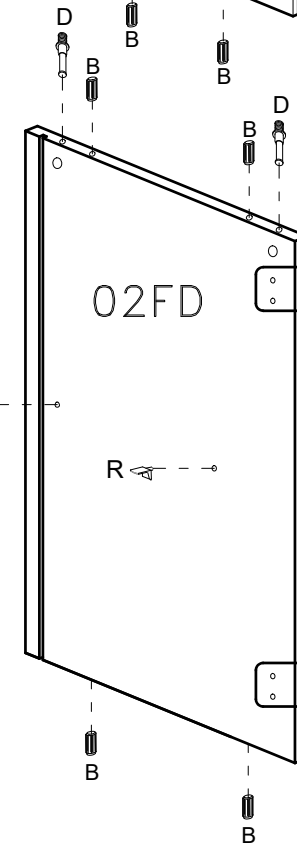
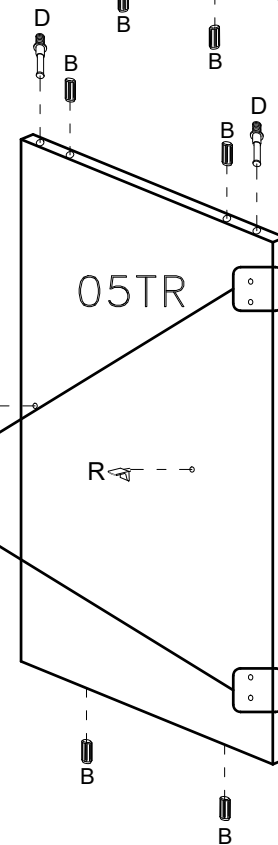
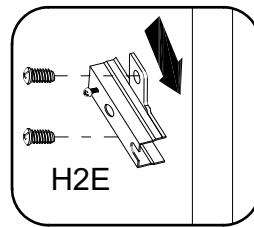
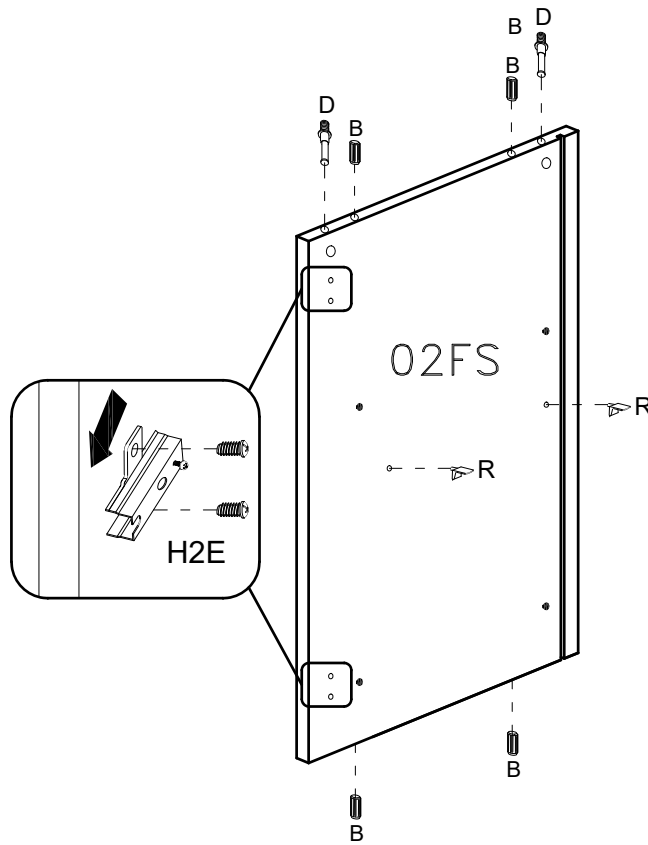
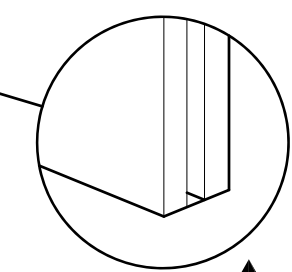
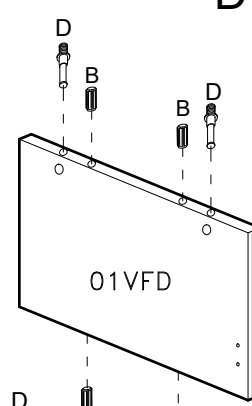
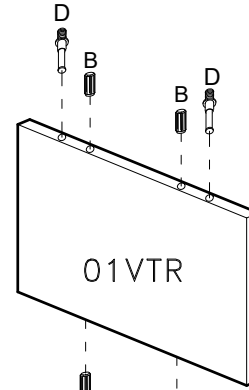
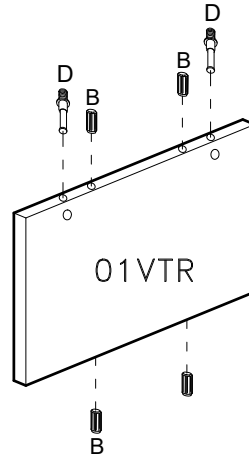
x6



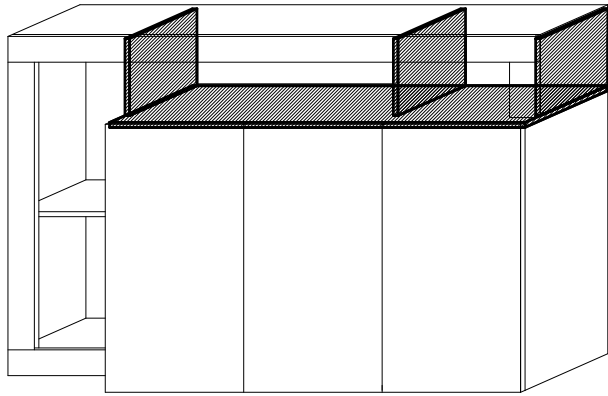
x8



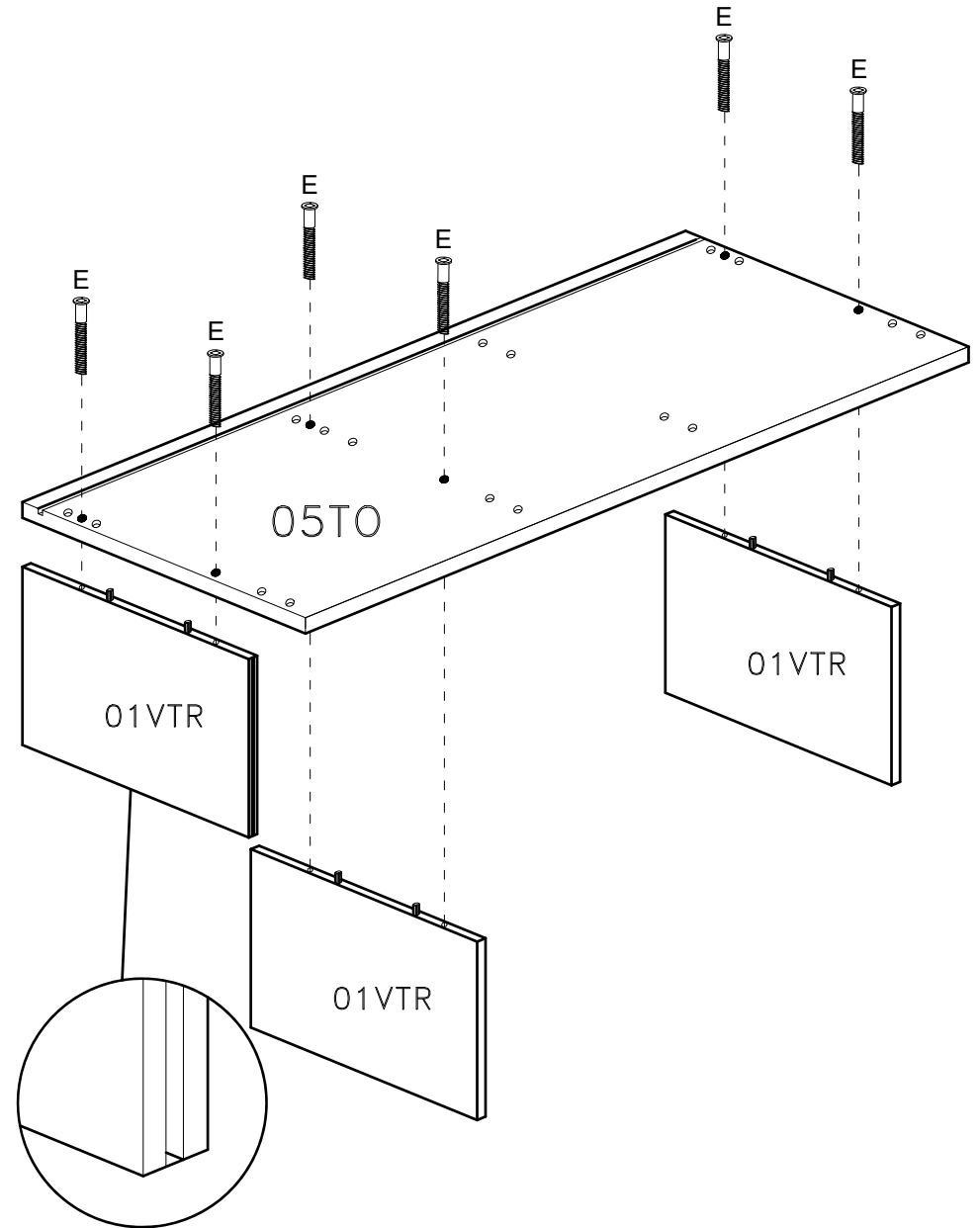
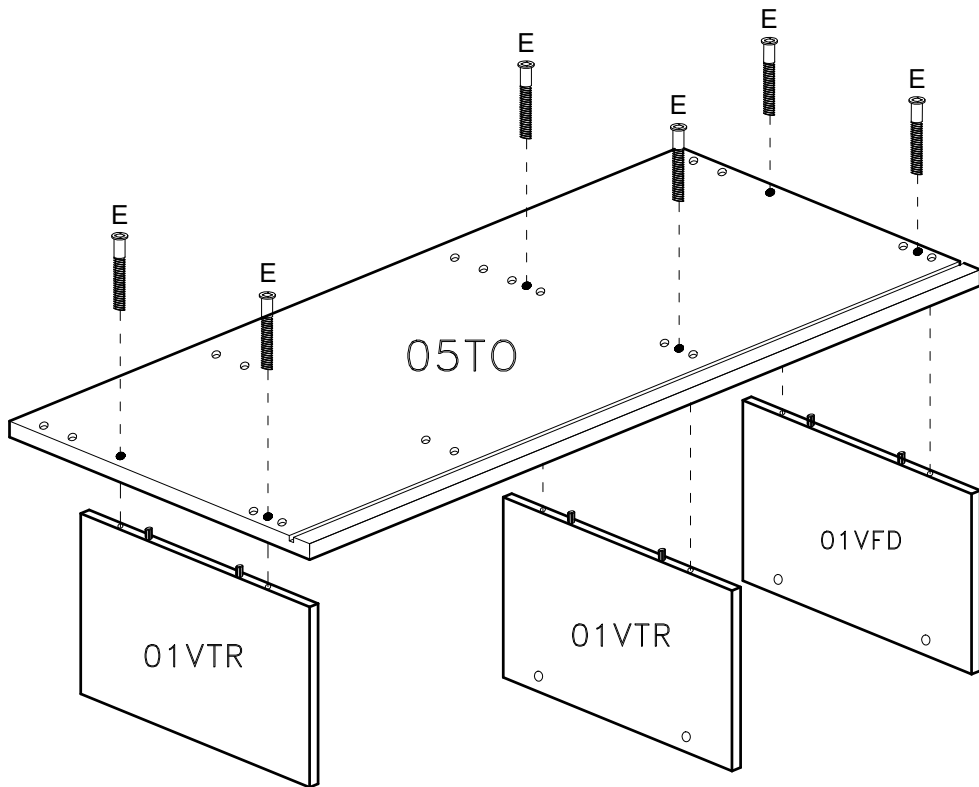
x12



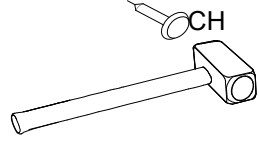
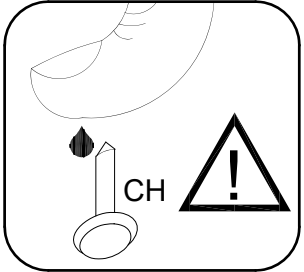
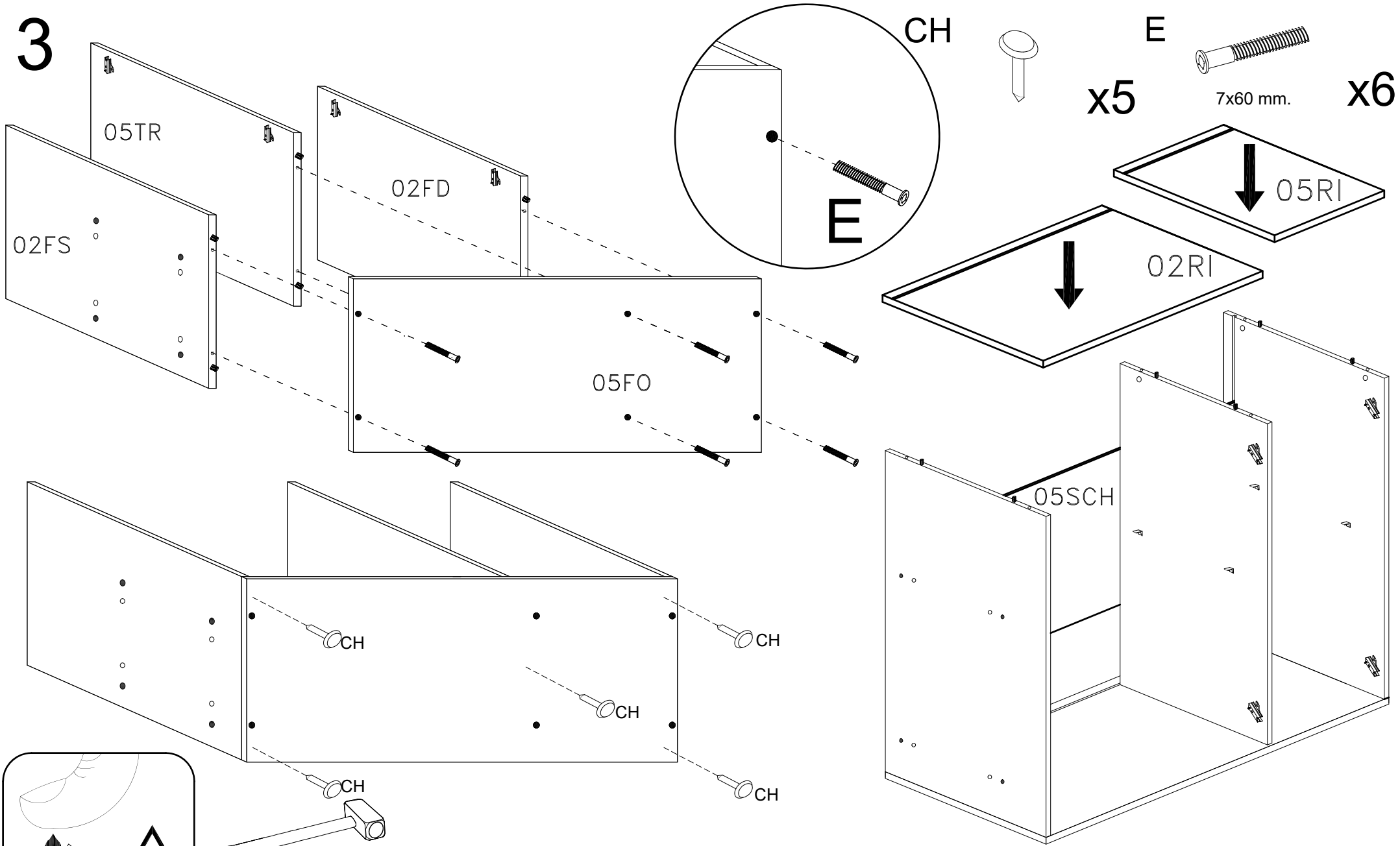
2



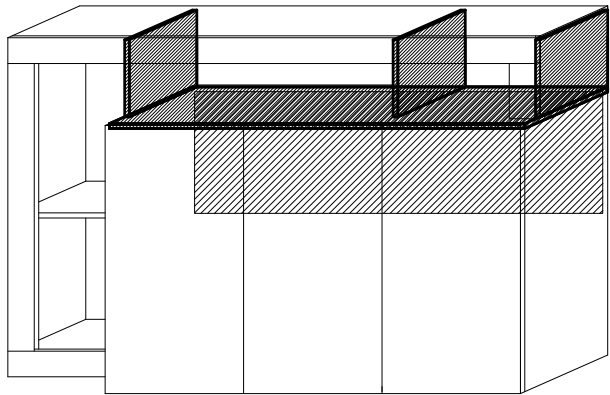
E
7x60 mm. x6



3



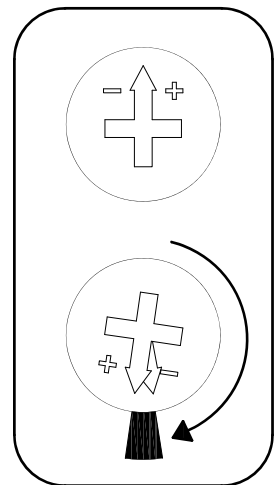
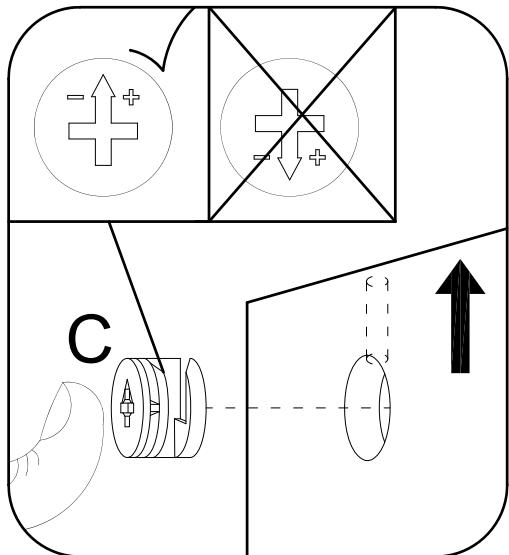
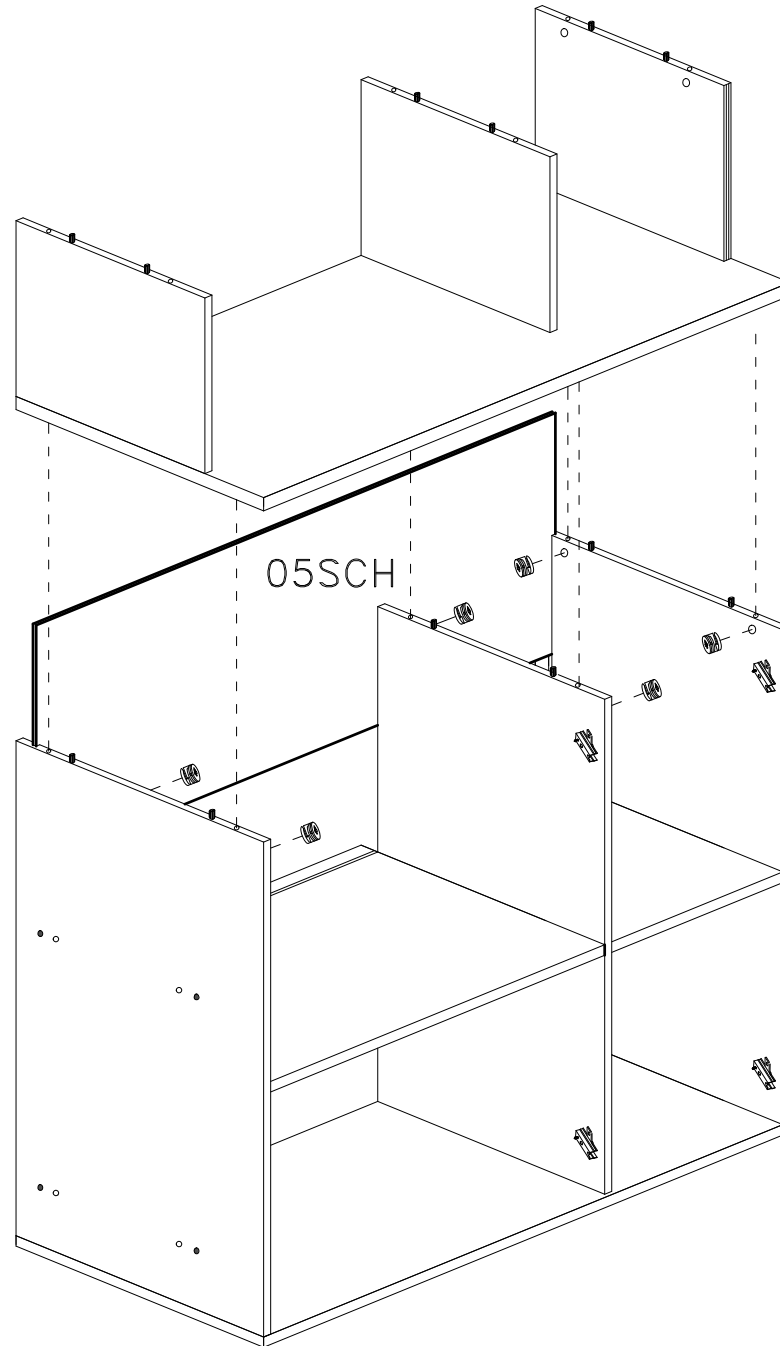
4



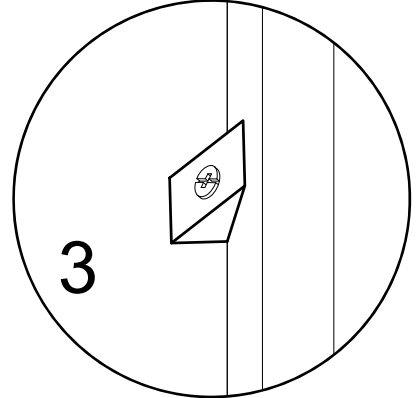
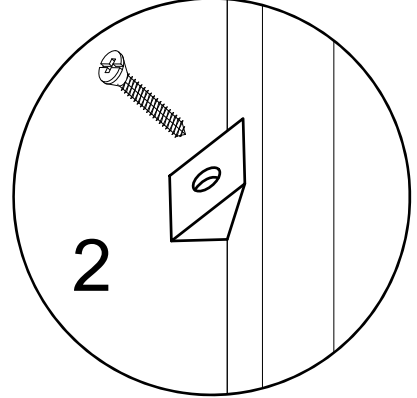
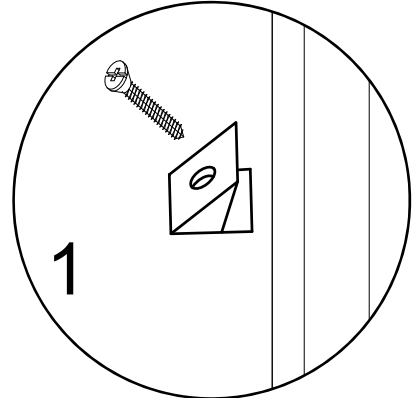
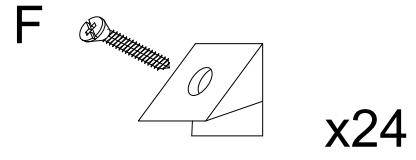
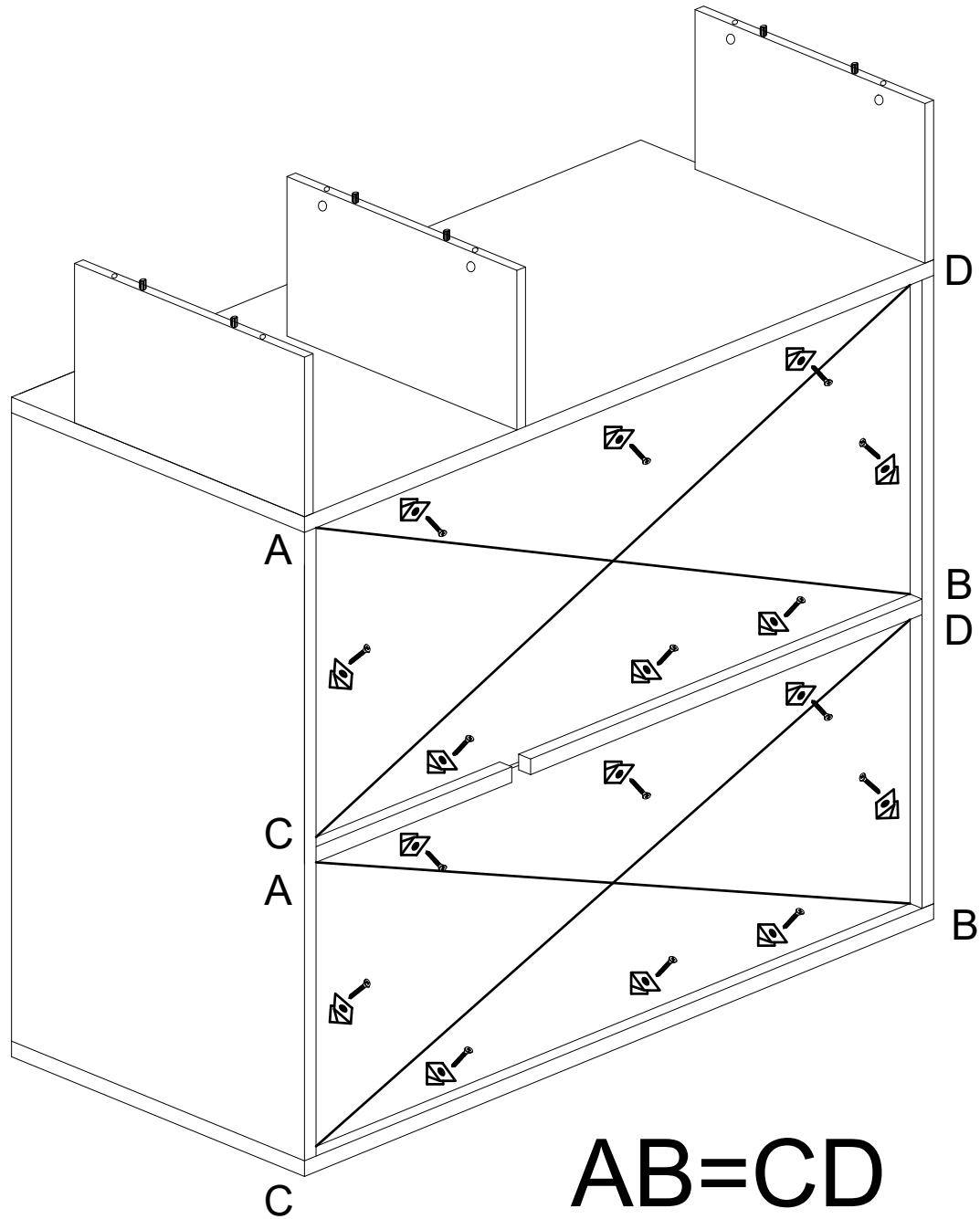
C



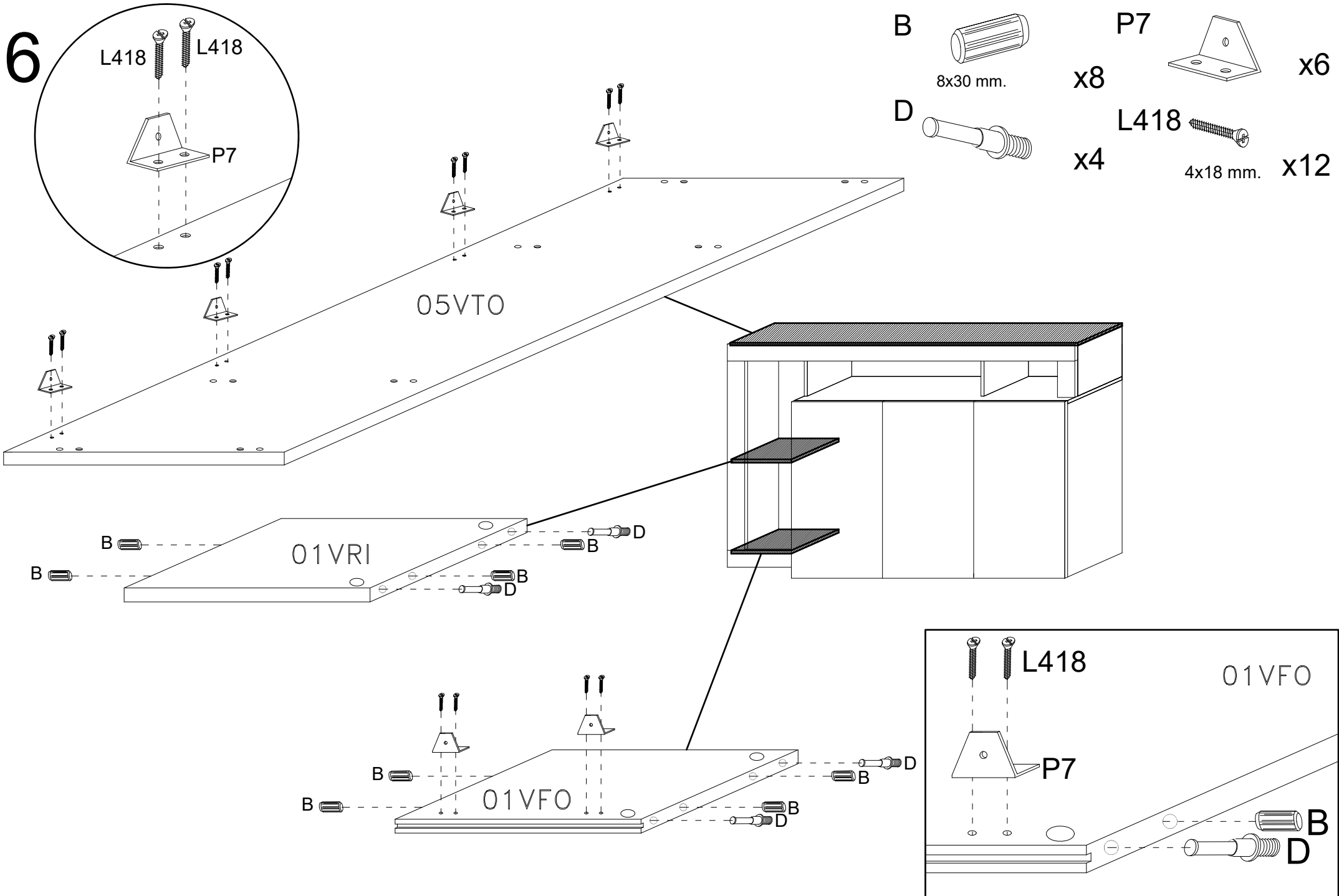
x6



5

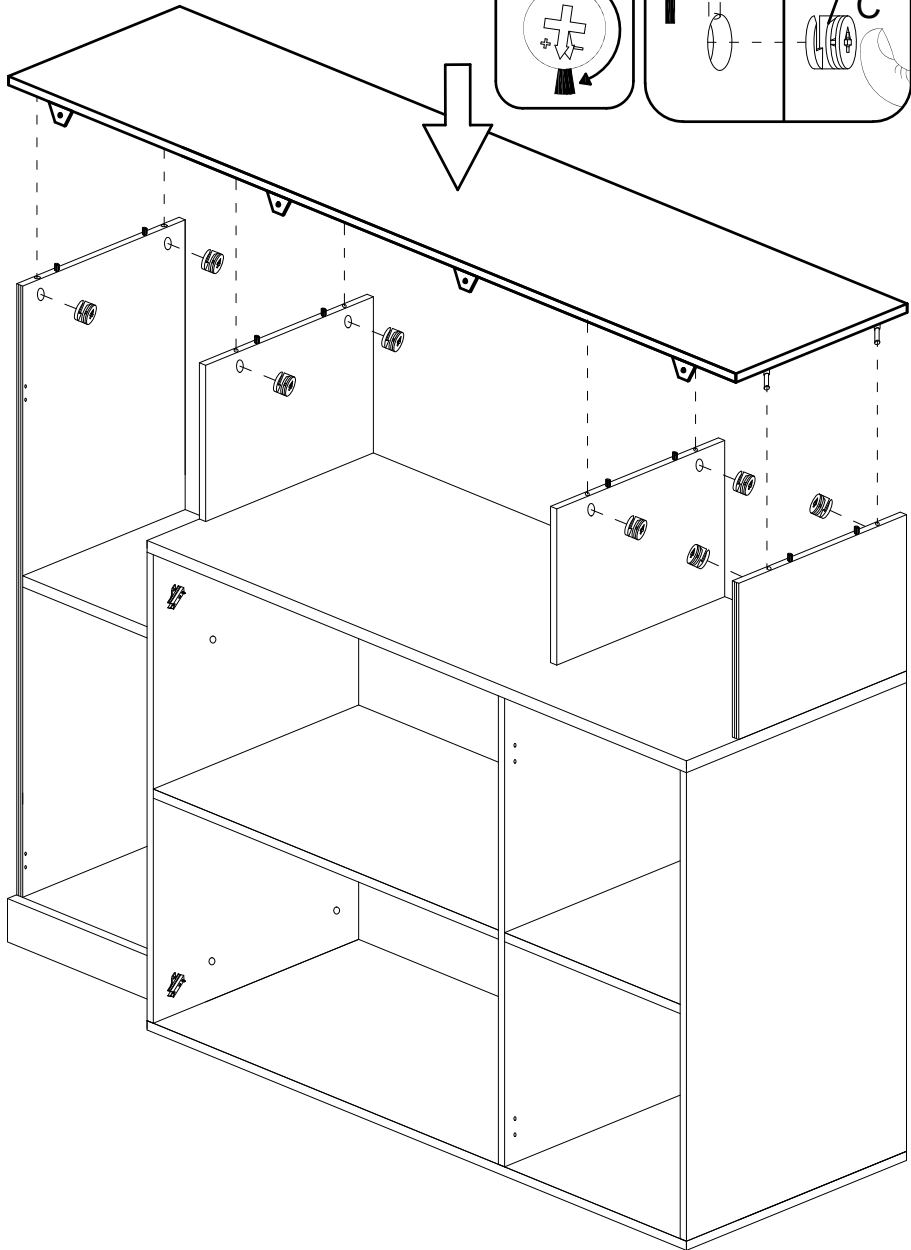
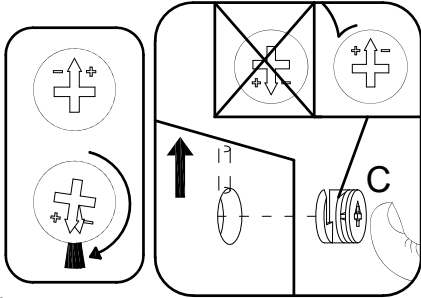


6

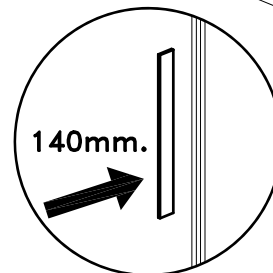
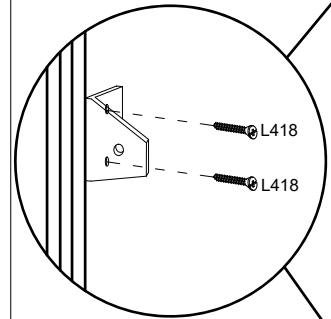
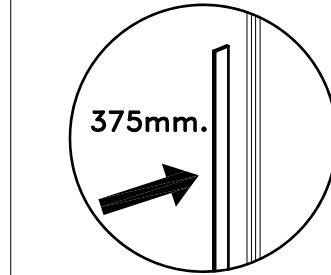


9^C

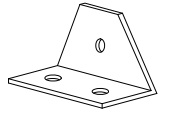
∅15 x 12 mm **x8**



10

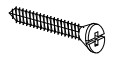


P7



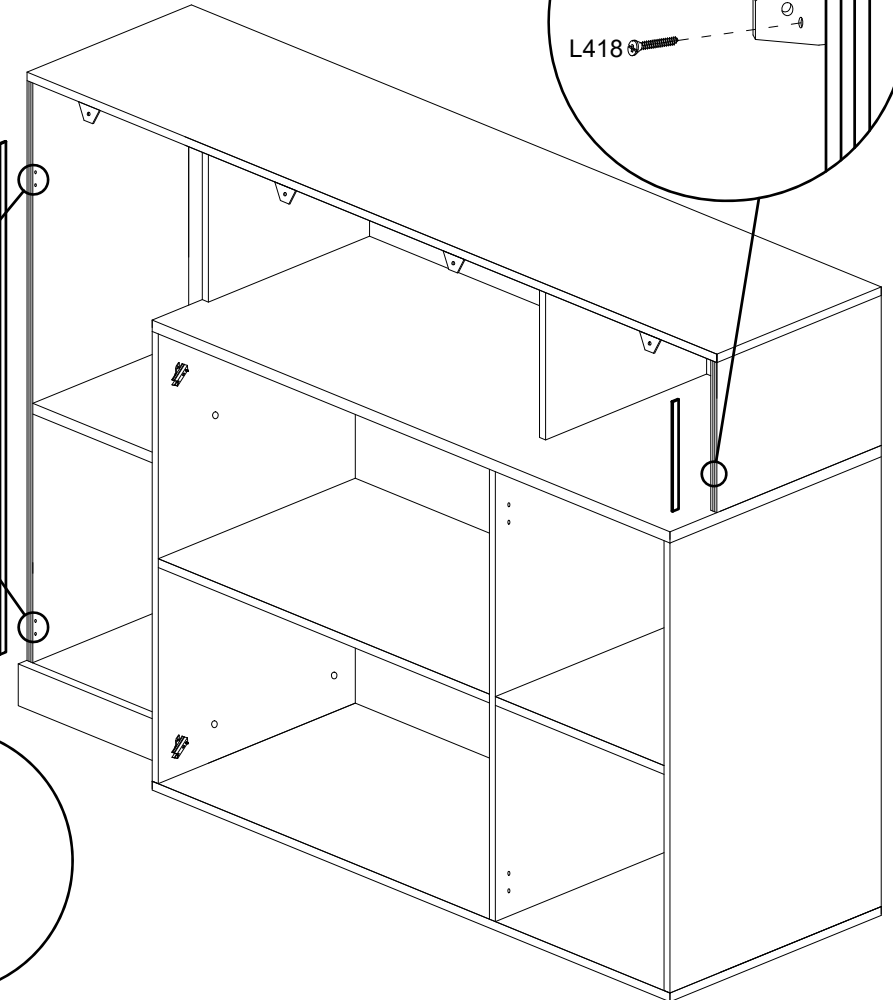
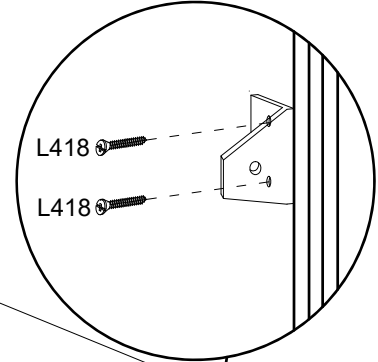
x3

L418

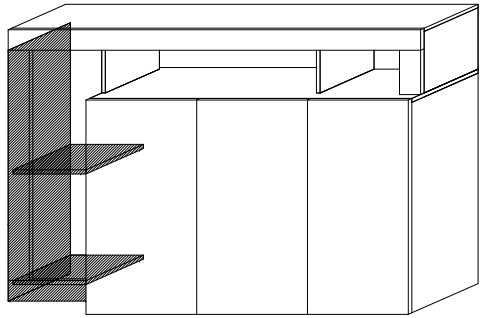


4x18 mm.

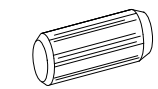
x6



7



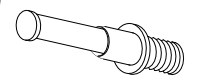
B



8x30 mm.

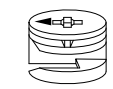
x2

D



x4

C



∅15 x 12 mm

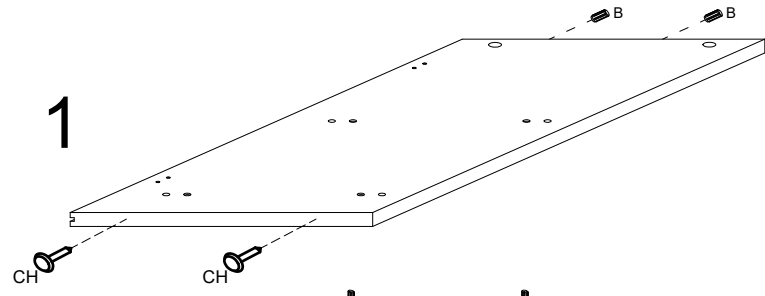
x4

CH

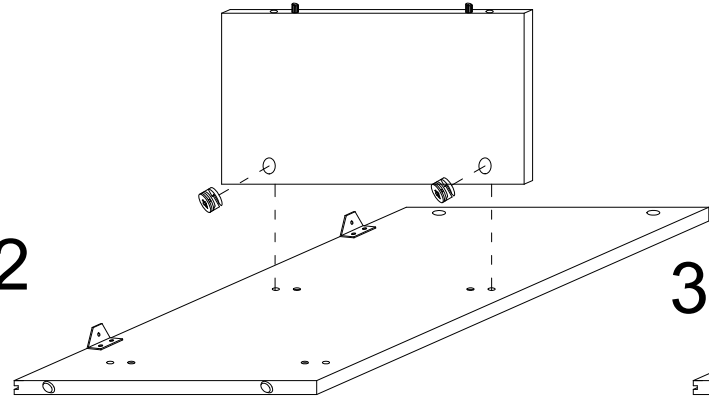


x2

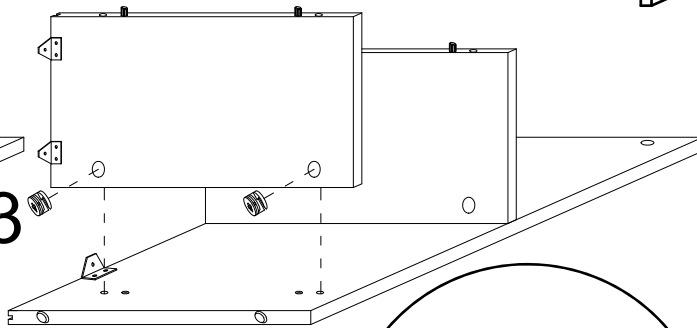
1



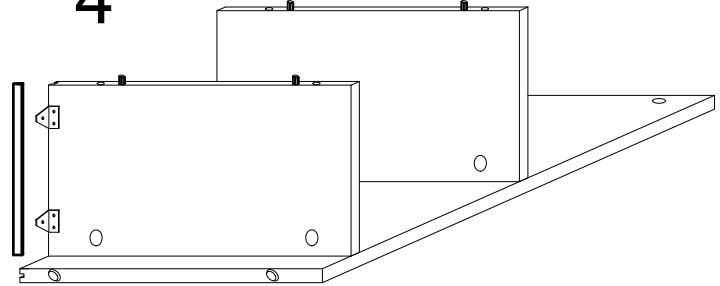
2



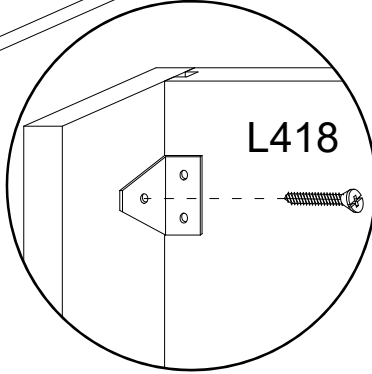
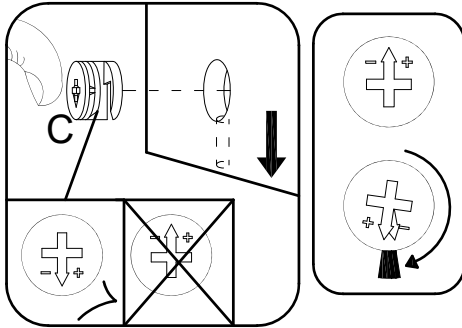
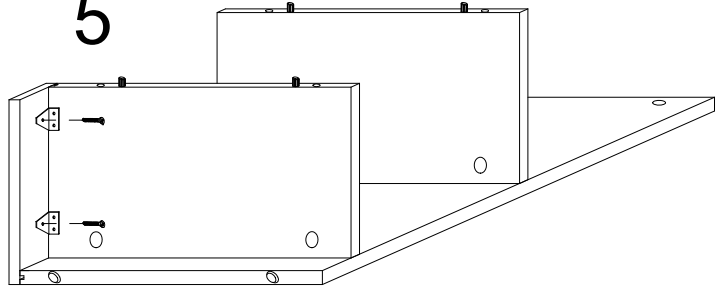
3



4



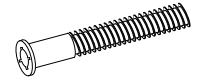
5



L418

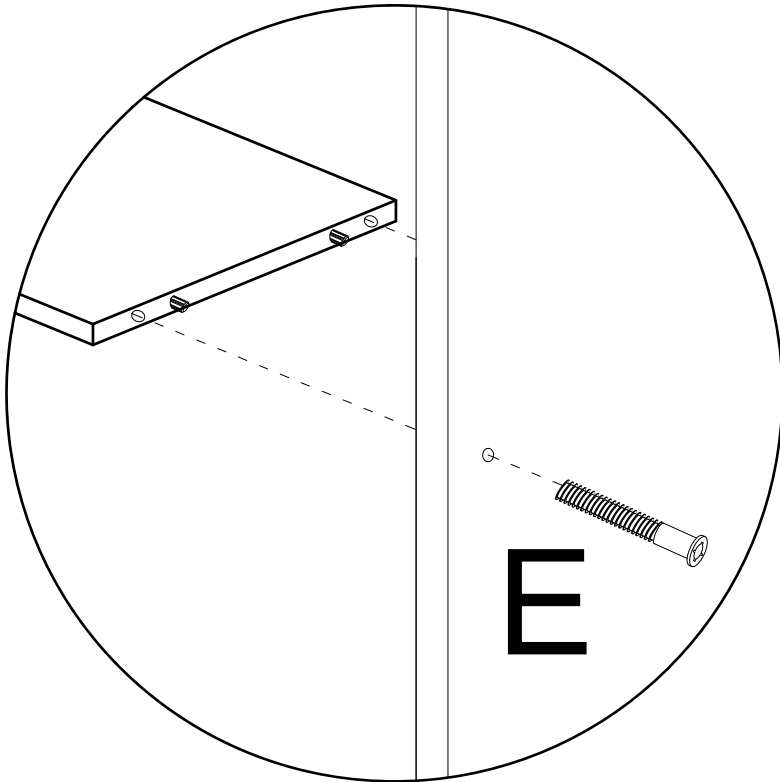
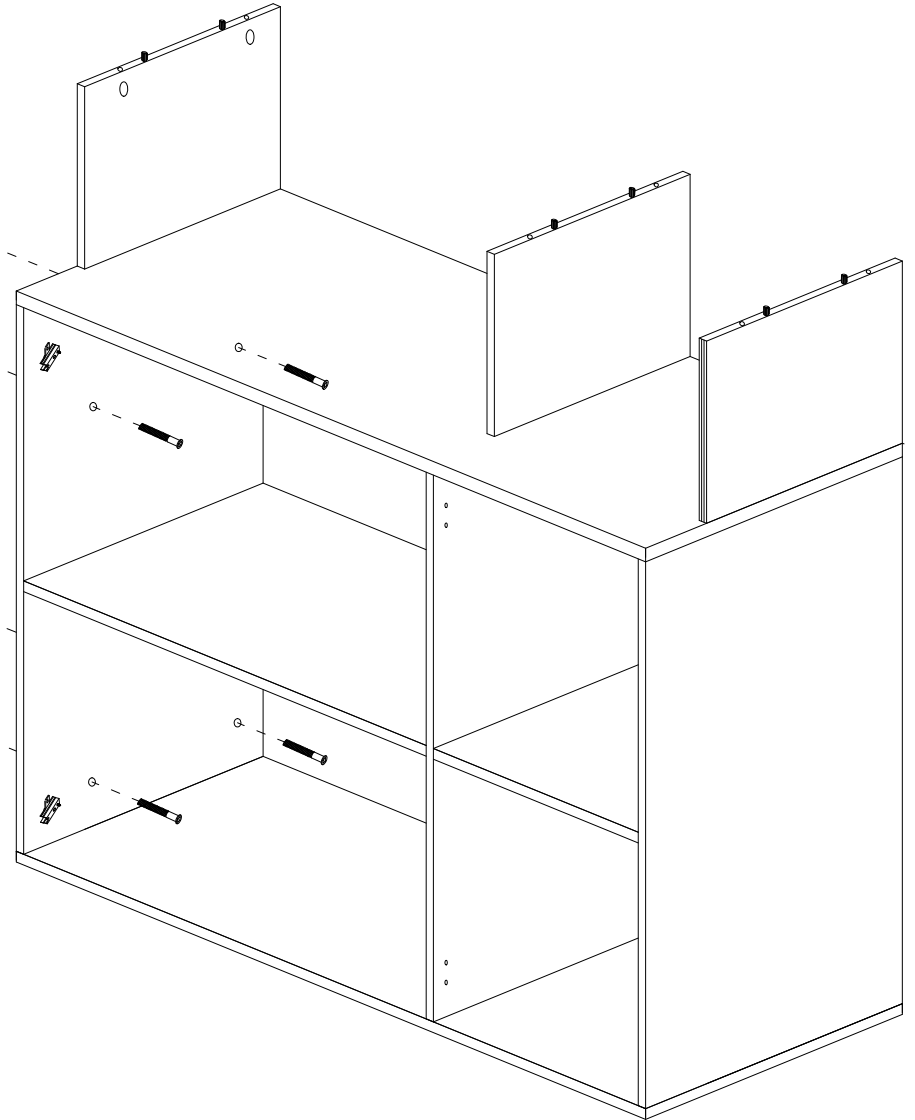
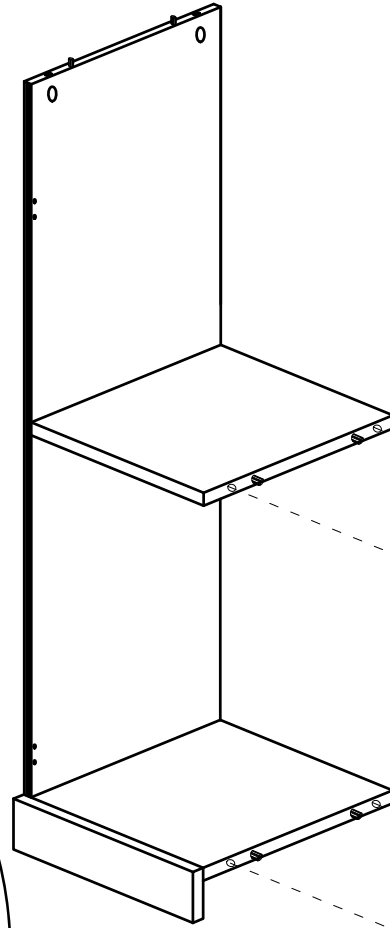
8

E



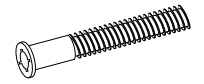
7x60 mm.

x4



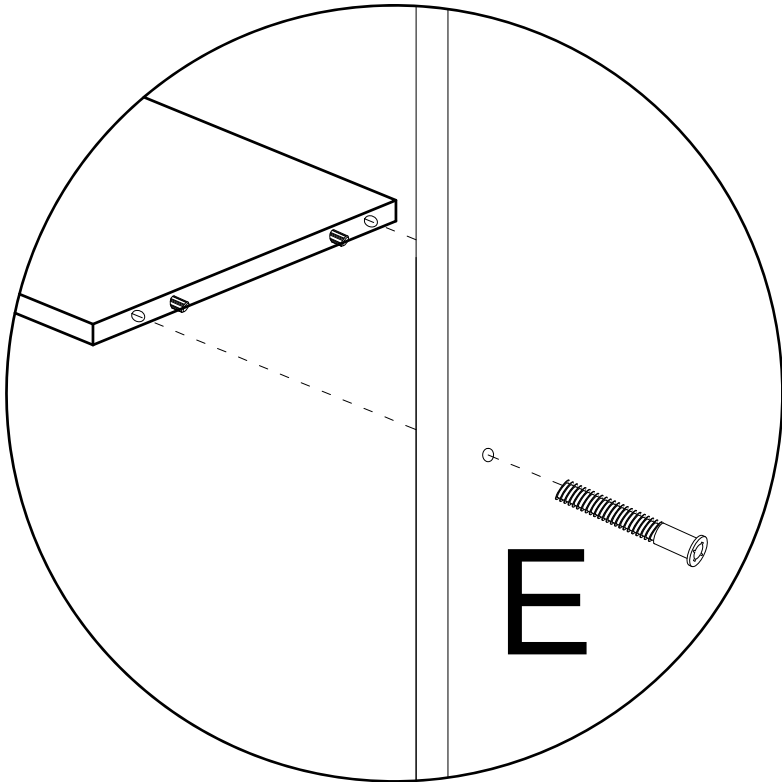
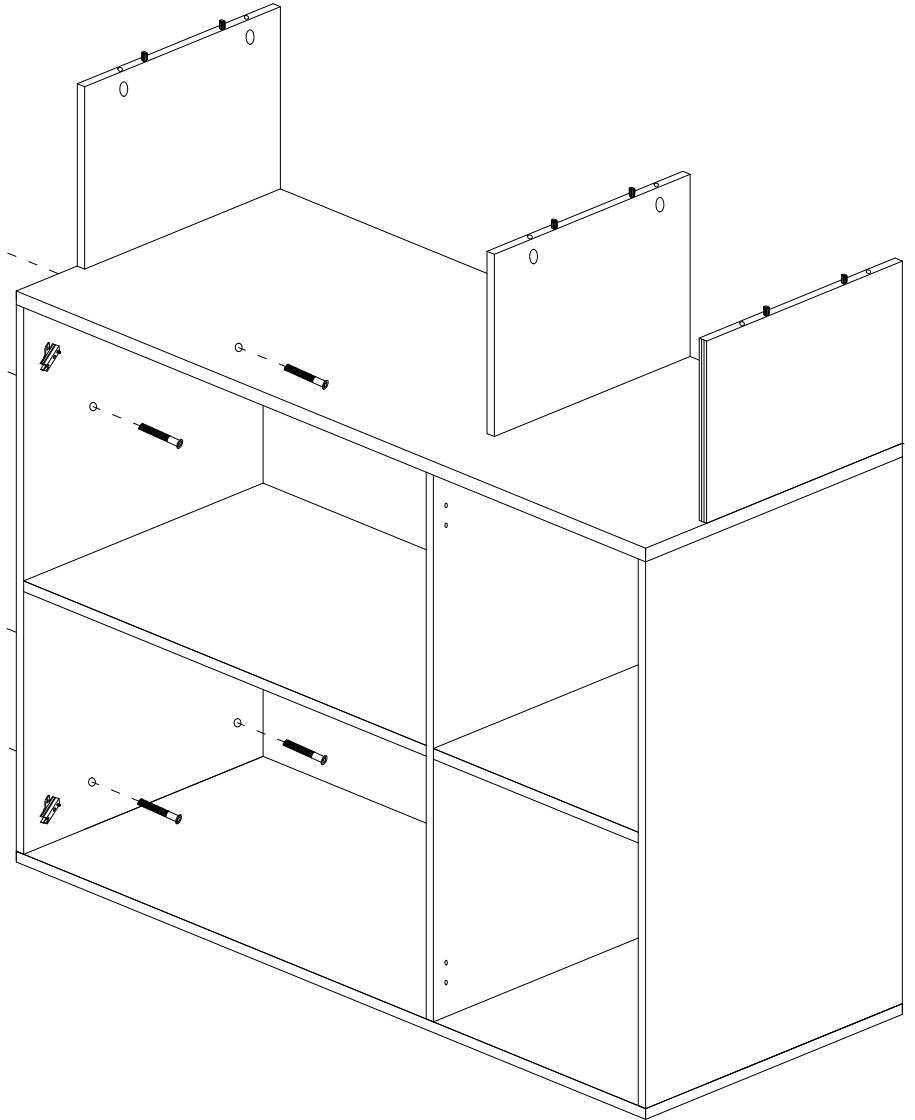
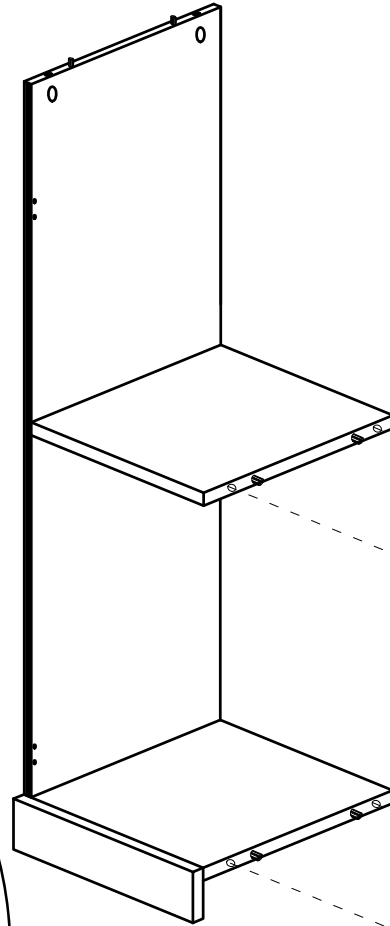
8

E



7x60 mm.

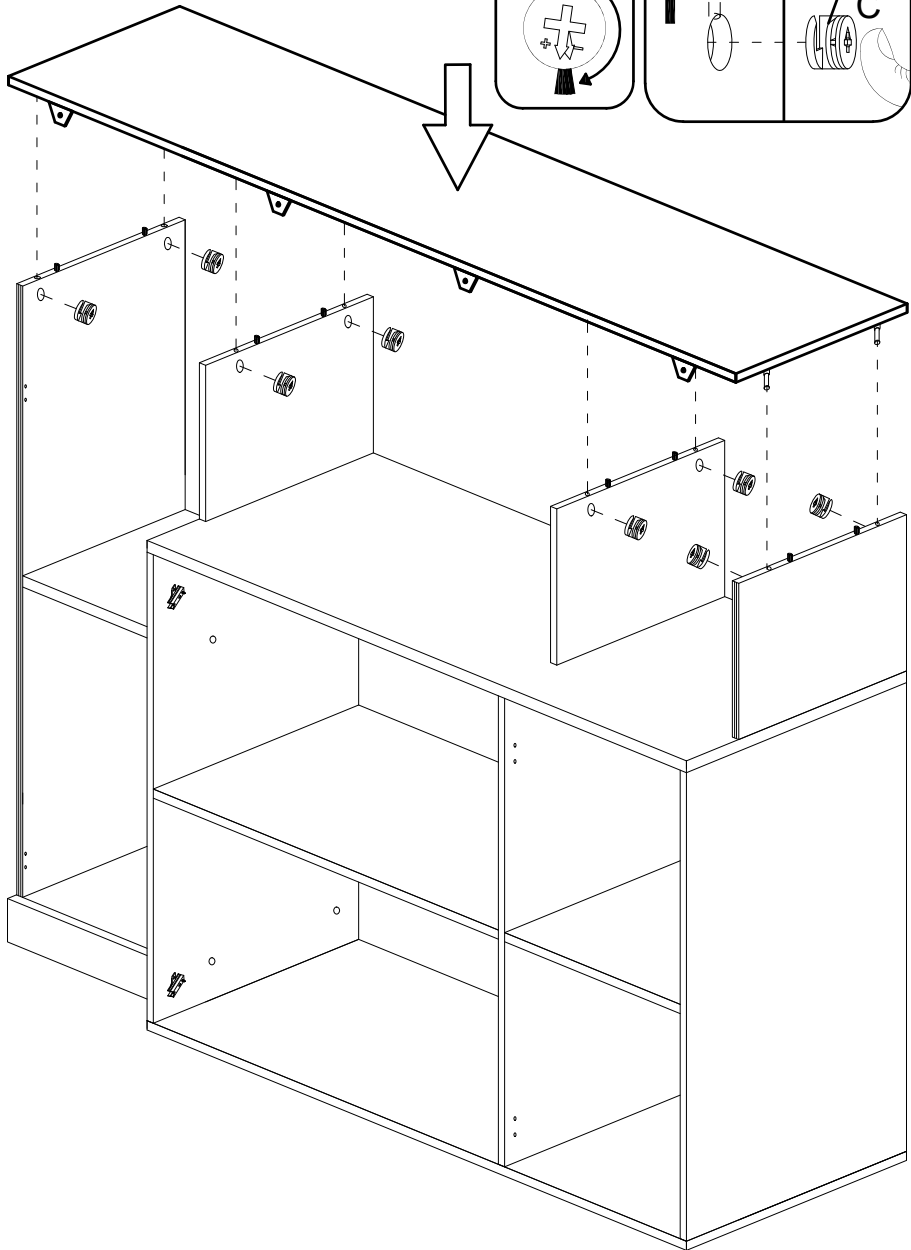
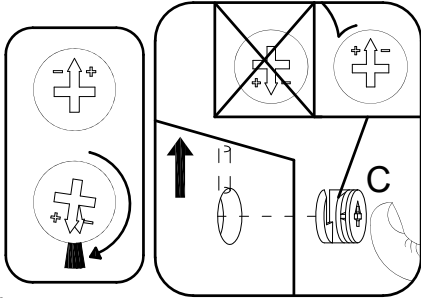
x4



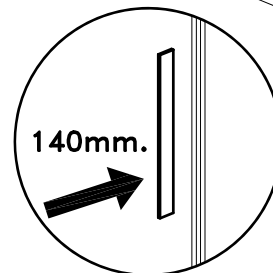
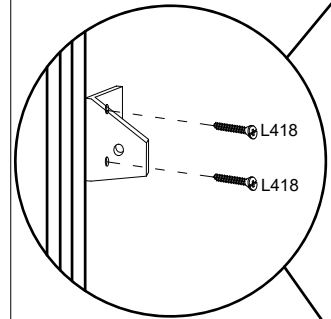
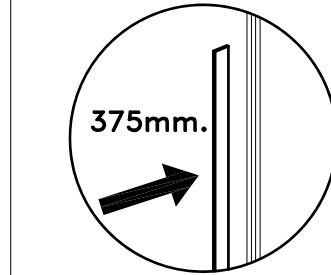
E

9^C

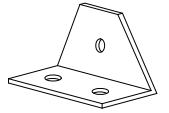
Ø15 x 12 mm x8



10

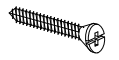


P7



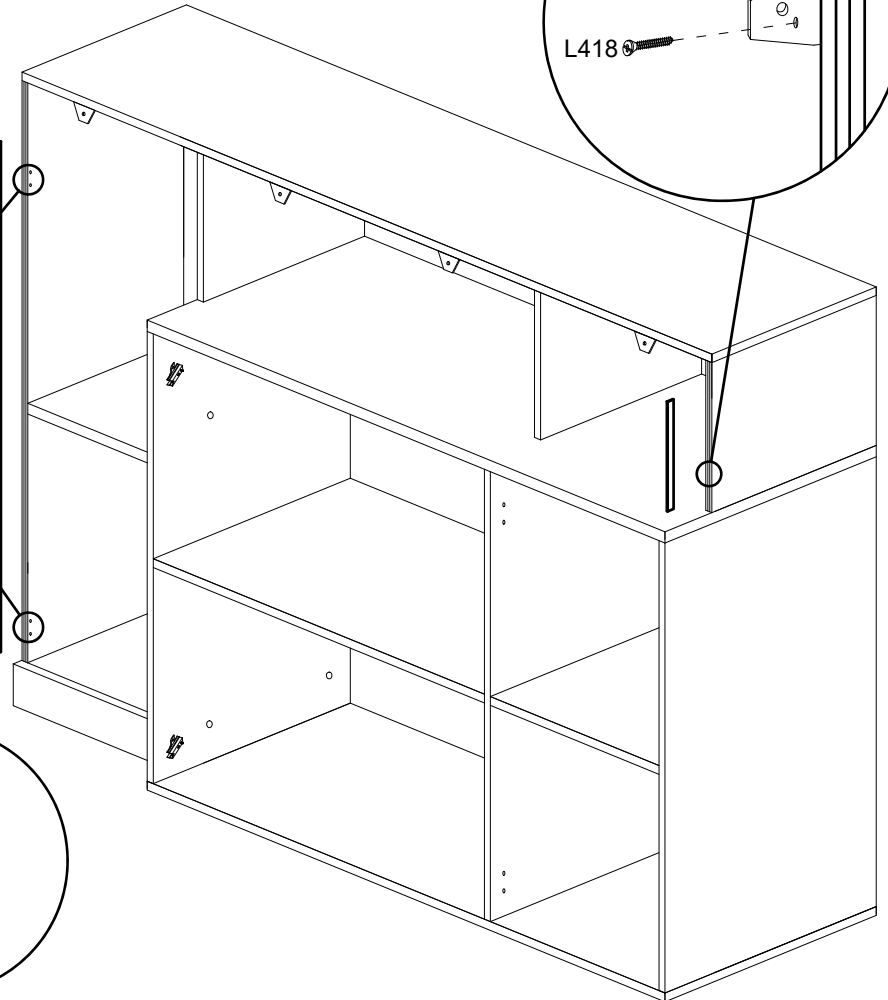
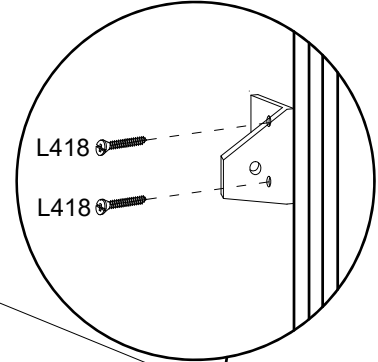
x3

L418

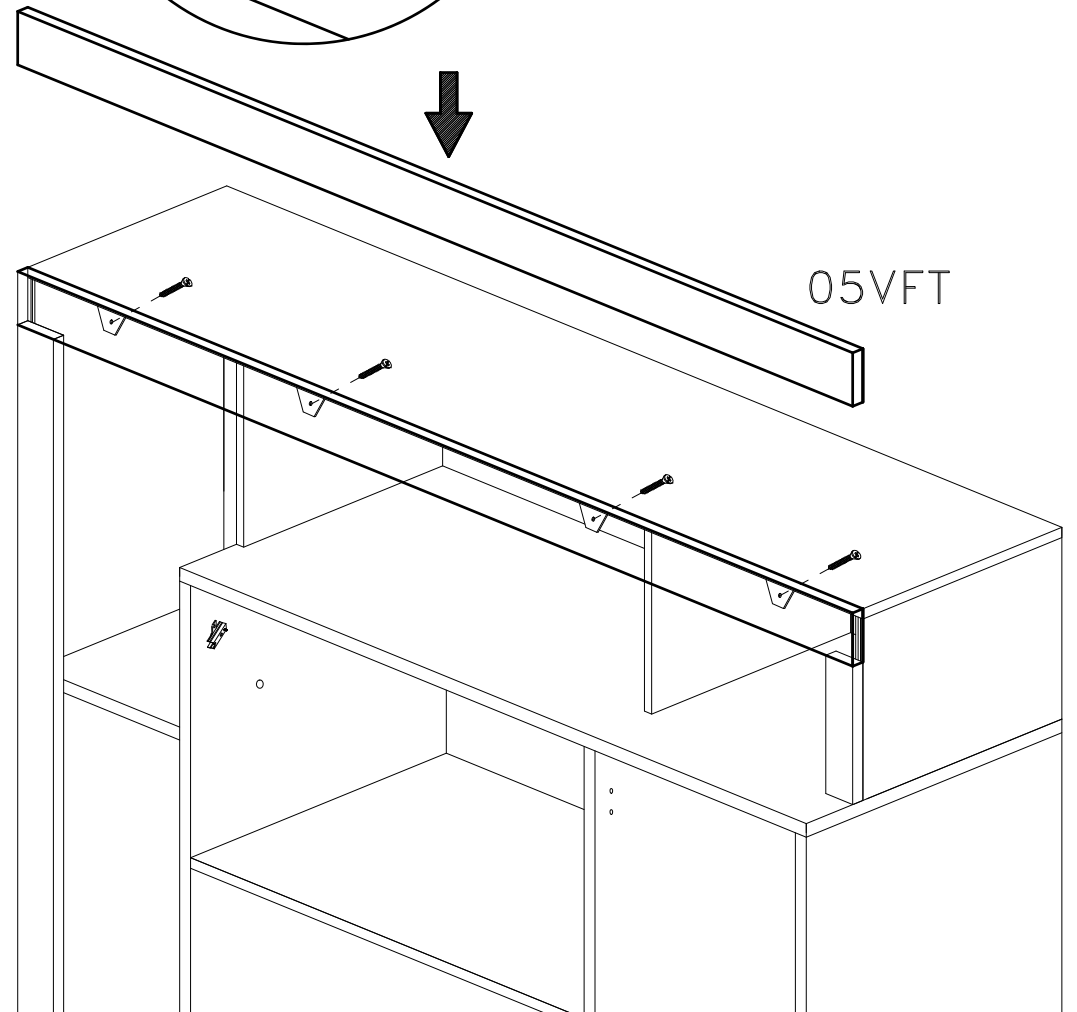
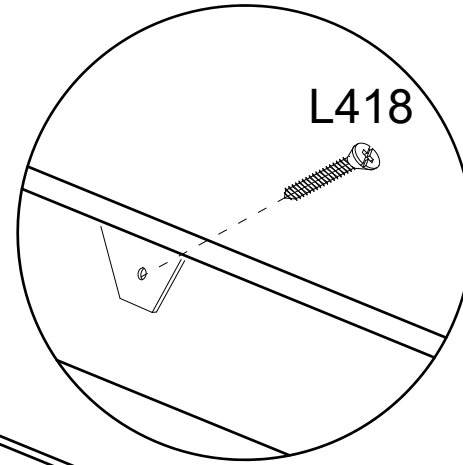
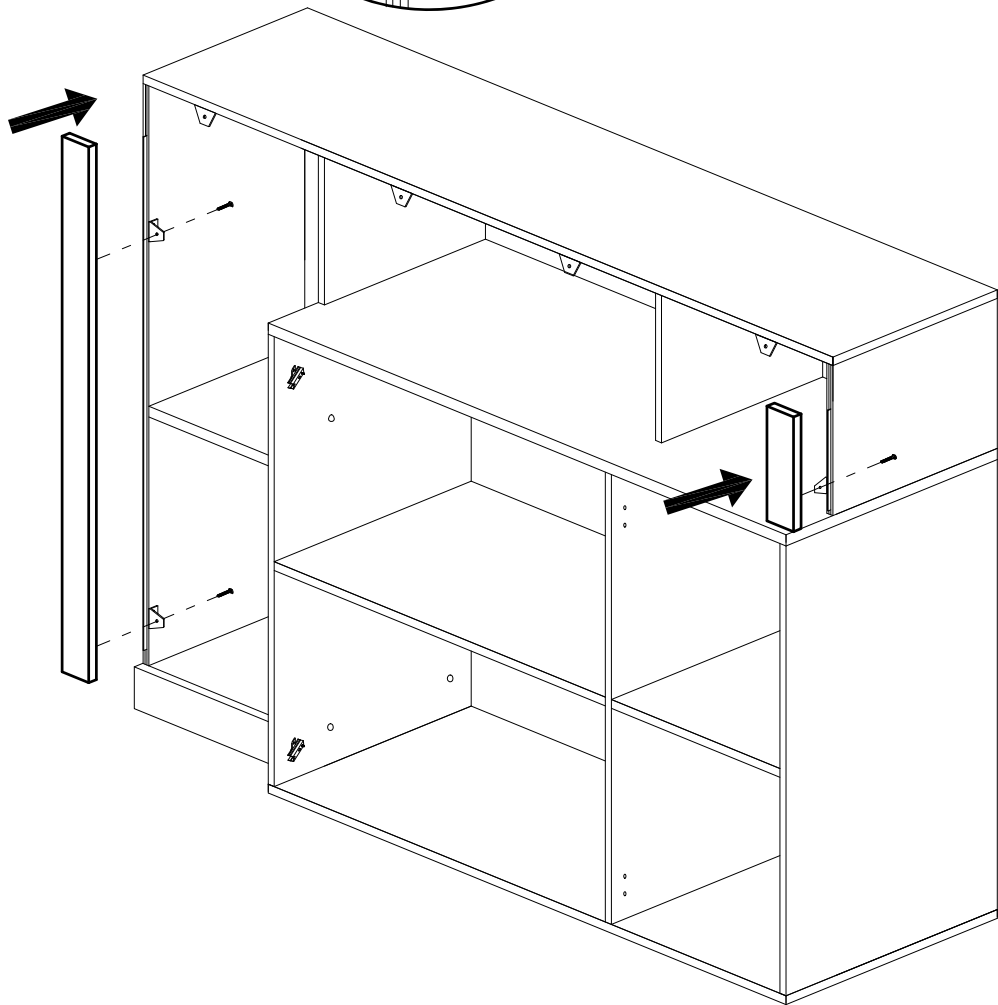
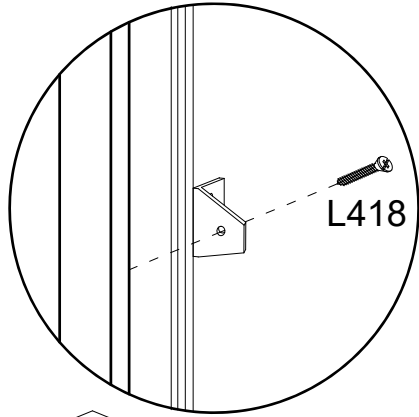


4x18 mm.

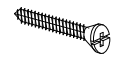
x6



11



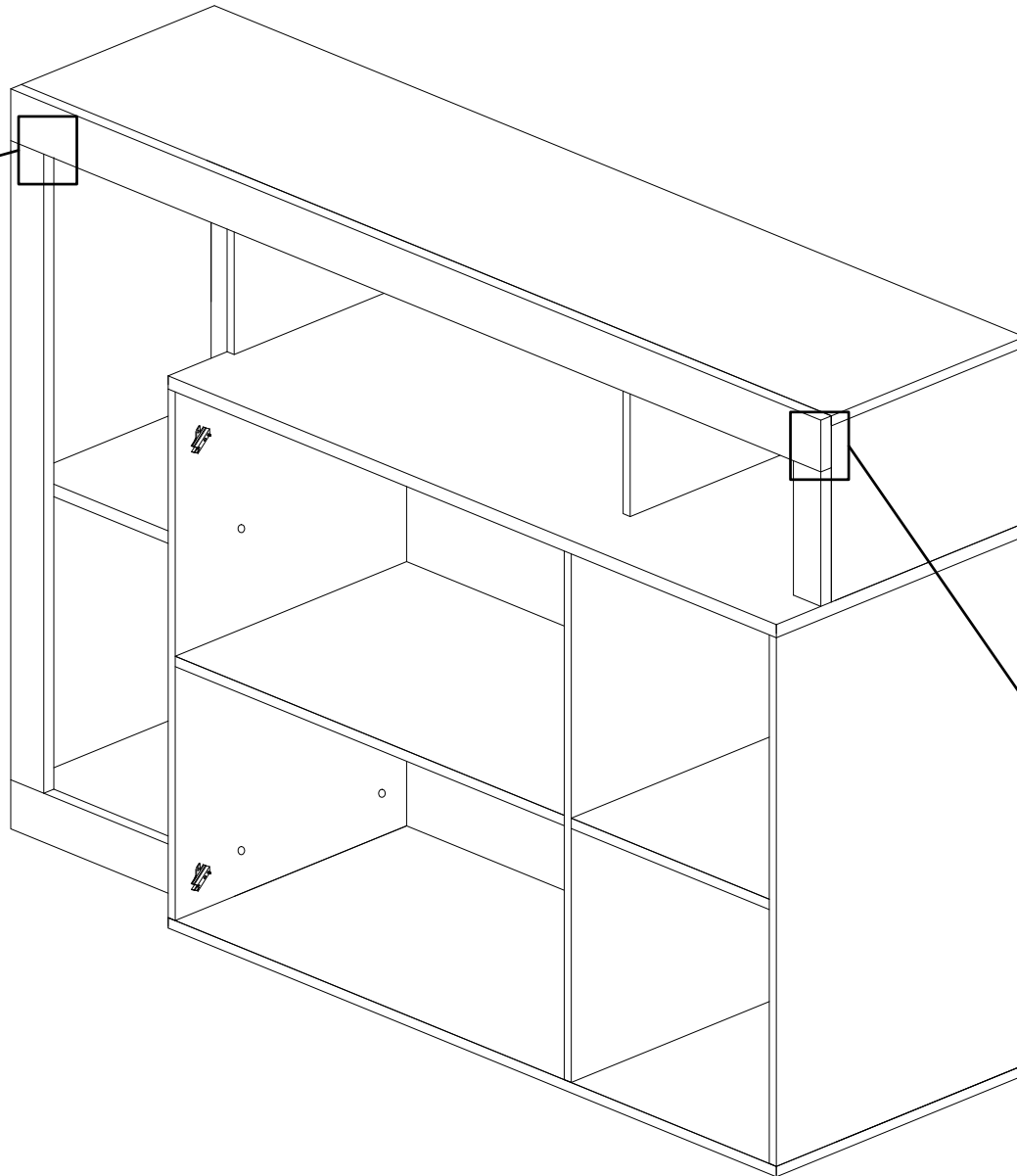
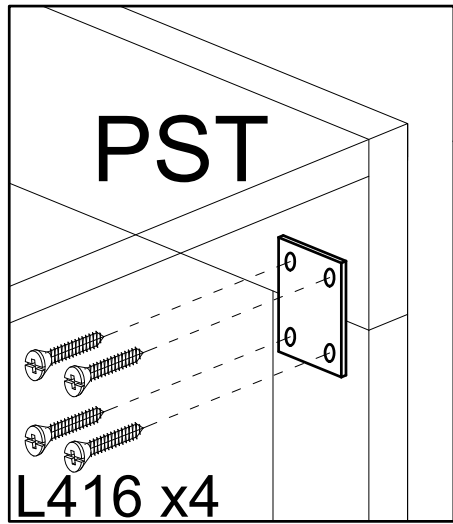
L418


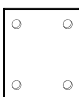


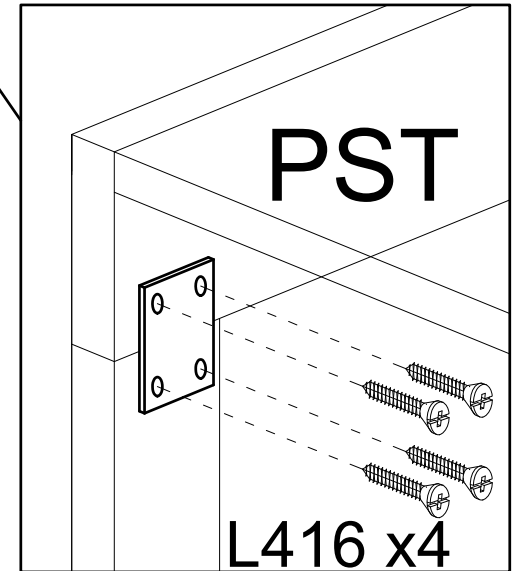
4x18 mm.

x7

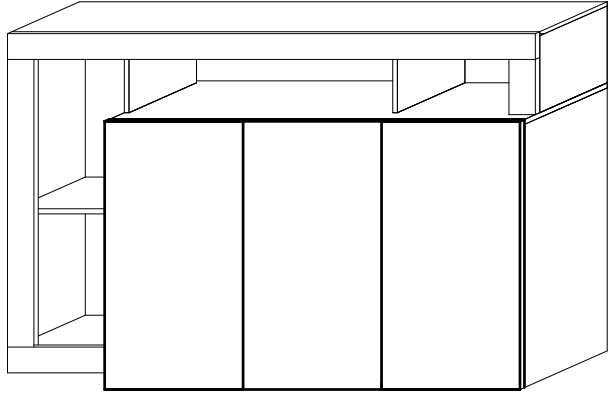
12


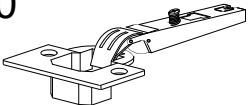



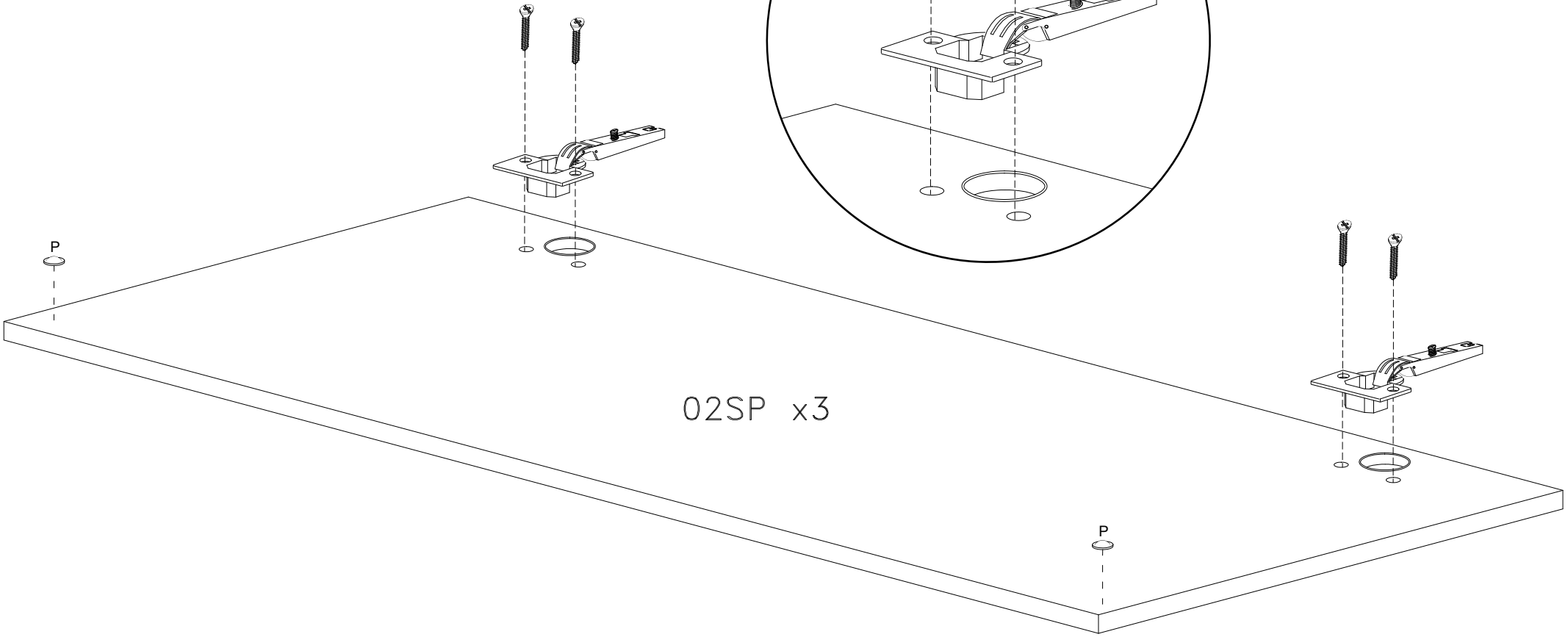
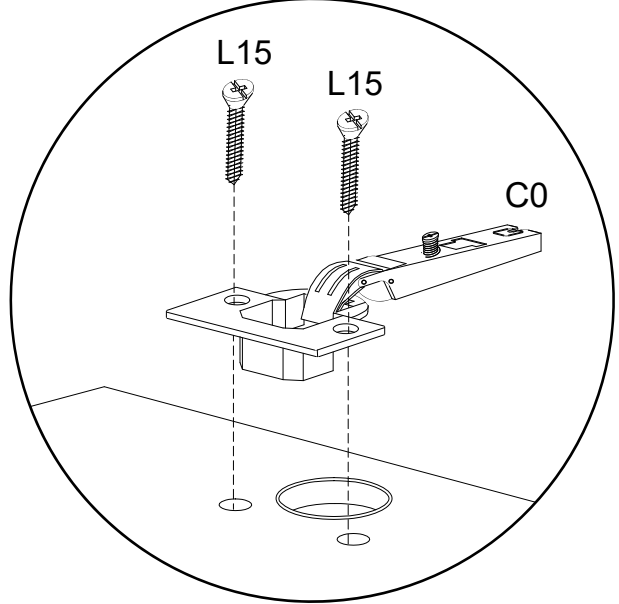
- L416  4x16 mm. x8
- PST  x2



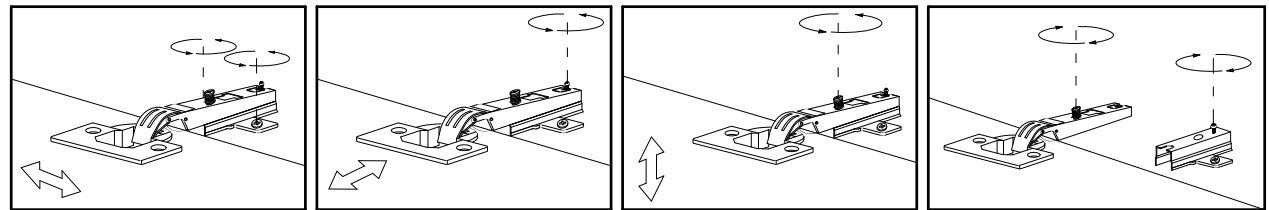
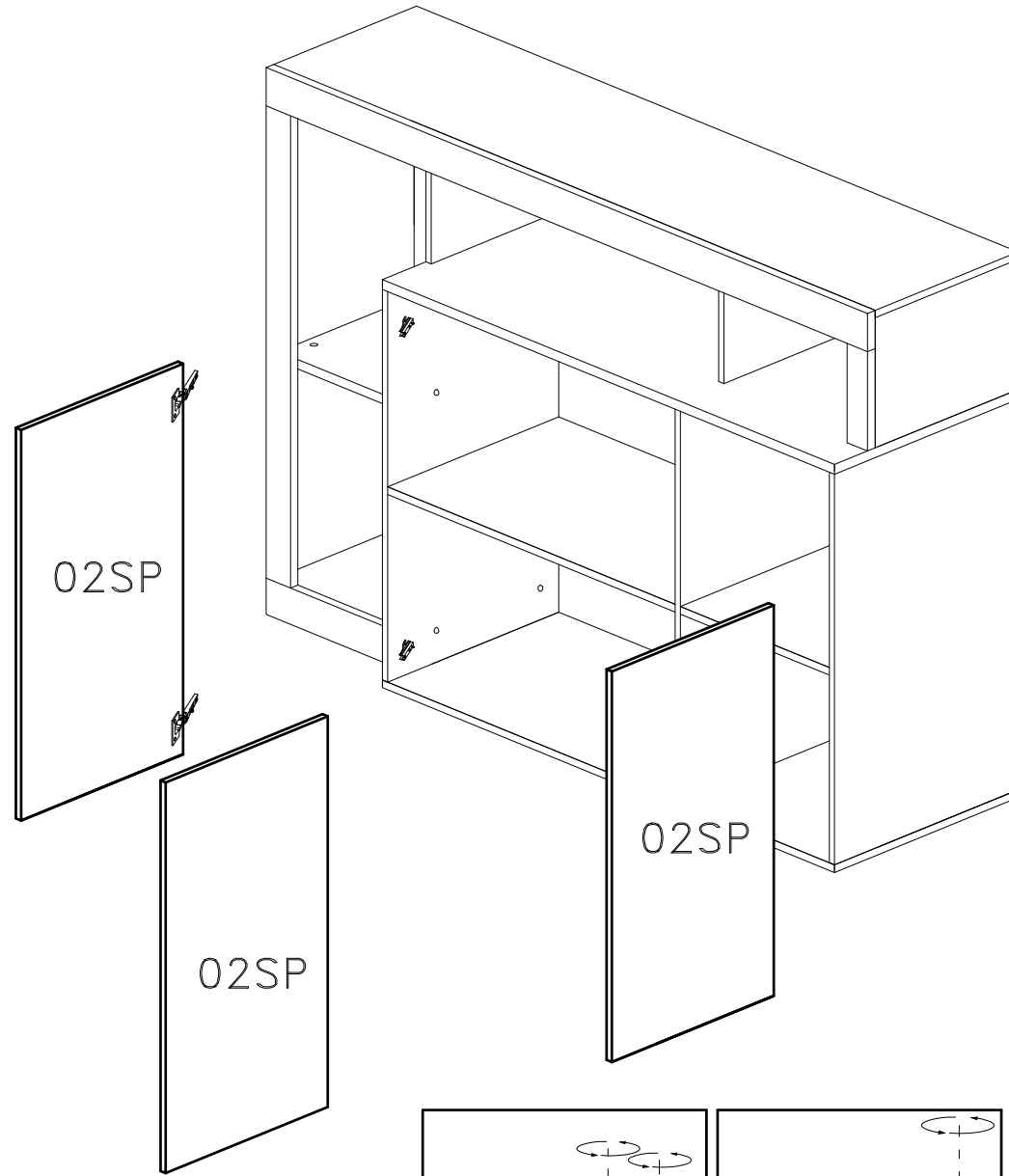
13



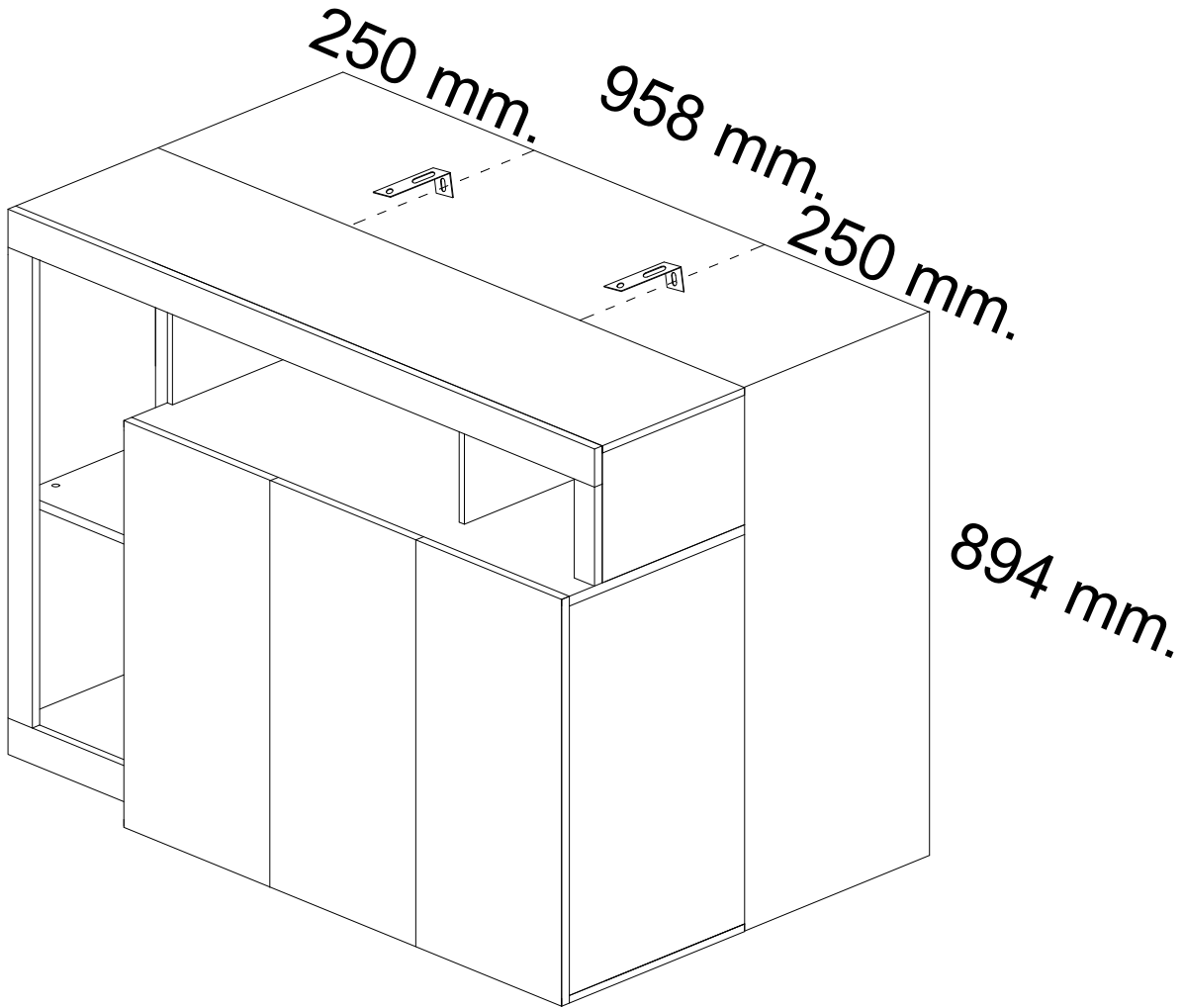
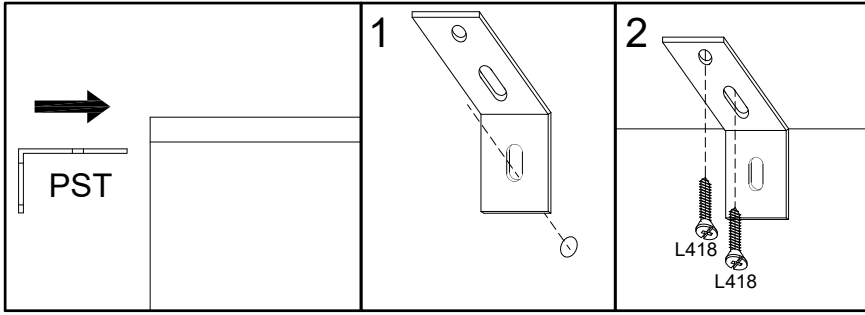
- L15  4x15 mm. x12
- C0  x6
- P  x6



14



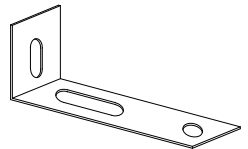
15



4x18 mm.



L418 x4



PST x2